



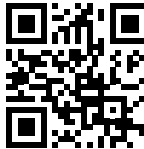
KCM-MD Long Plate $\frac{3}{8}'' + \frac{1}{2}''$

2222400-11.2024

20 KWIK CAST
KCM-MD L $\frac{3}{8}'' + \frac{1}{2}''$
ORG-ORG
#2221704



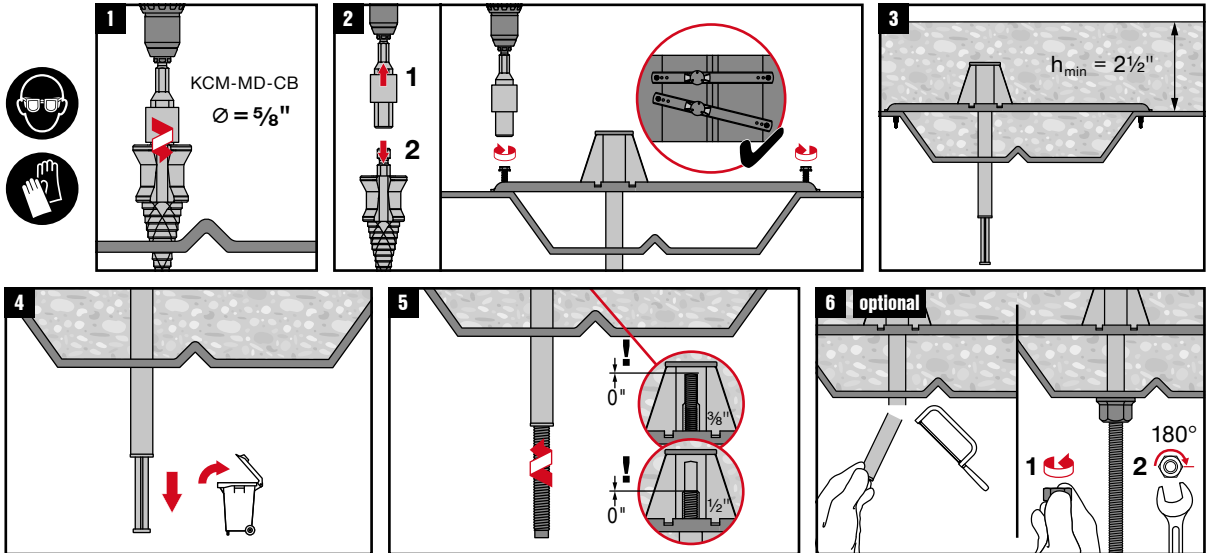
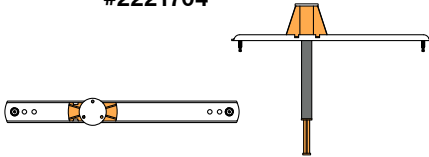
Info | Shop



qr.hilti.com/2221704

Batch Tracking
Information

Made in Taiwan
Hilti = trademark of Hilti Corp., Schaun, LI



Per FM approval, the metal plate of the insert must be on the top of the deck flutes. For seismic bracing applications cut tube flush to bottom of metal deck.
*Turn threaded rod until bottomed out to ensure full thread engagement.