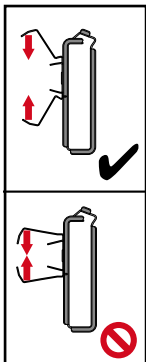
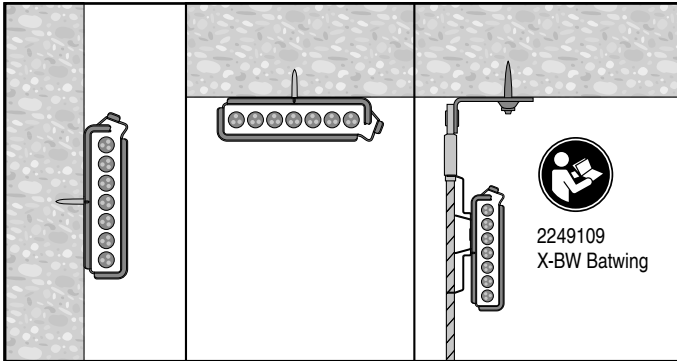
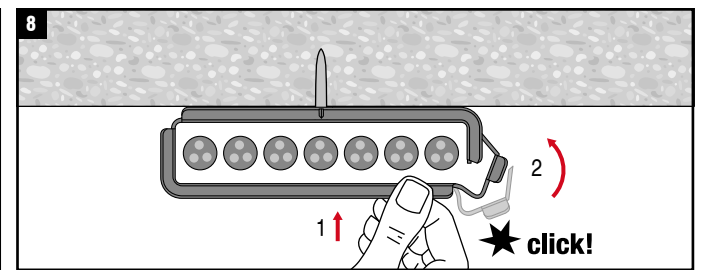
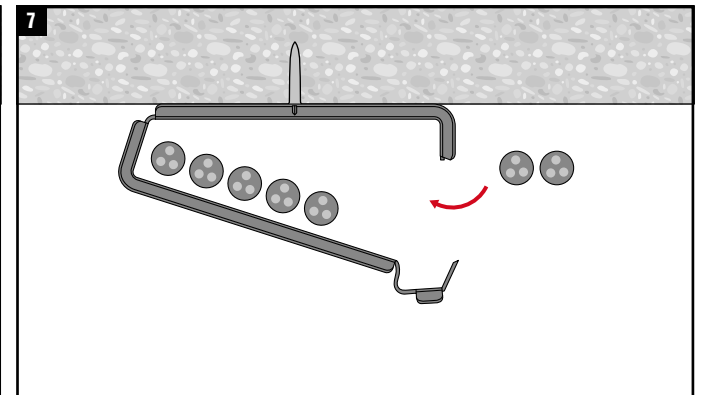
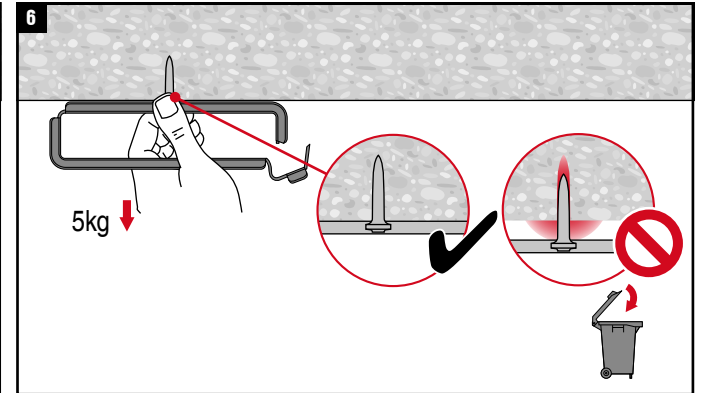
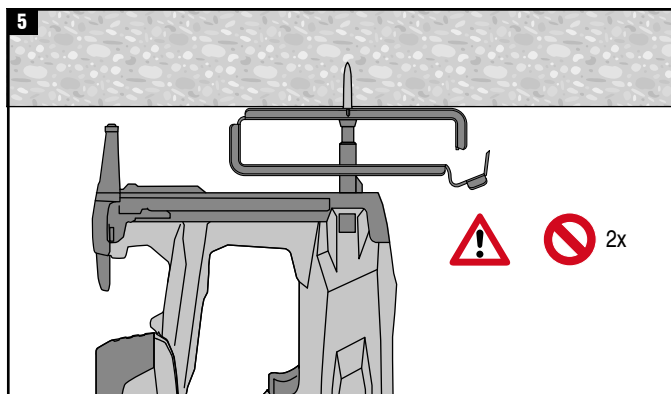
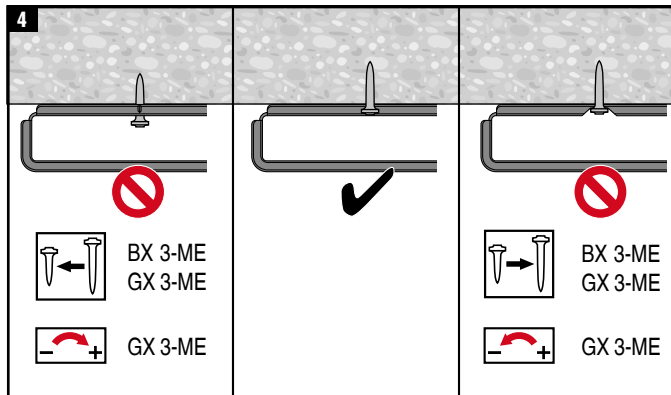
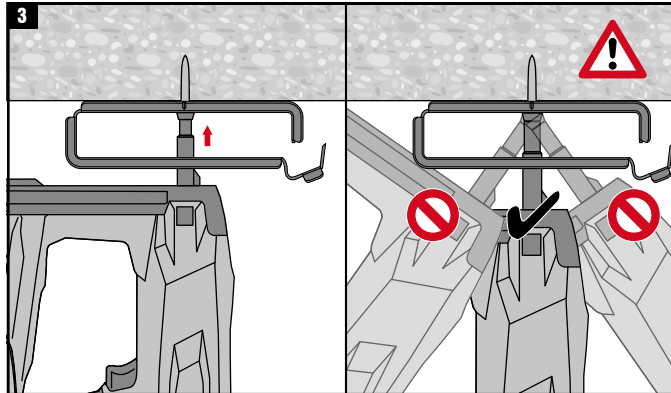
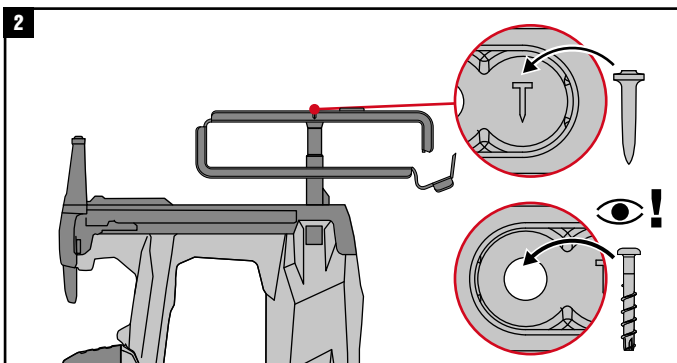
 **UL LISTED** (Cable Hanger) E305554
 Load rating: [16.6lbs]. Corresponds with mechanical strength according to UL Standard for Hardware for the Support of Conduit Tubing and Cable, UL2239; Mounting orientation: Horizontal for Ceiling application; Vertical for Wall & Batwing application.



1

**BX 3-ME
GX 3-ME**

Concrete		Steel
Wall	Ceiling	
X-P 20 B3 MX	X-P 20 B3 MX	X-S 14 B3 MX



9

Cat. No.	Max. pieces of MC Cable									
	14-2	14-3	14-4	12-2	12-3	12-4	10-2	10-3	10-4	8-3
X-MS 3"	7	7	7	7	7	6	7	5	5	4
X-MS 3 BW*	7	7	7	7	7	6	7	5	5	4